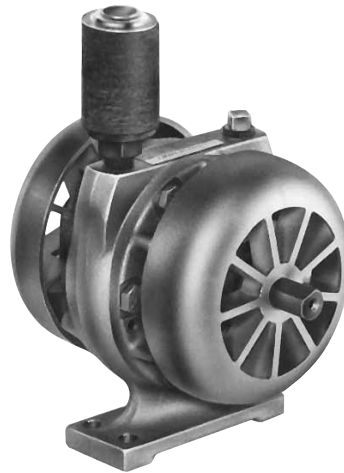


Lubricated Vacuum Pump



Oilless Compressor

Model 0240 Series

Lubricated:

- 15 inHg max. vacuum
- 1.9 CFM open flow
- 10 psi max. pressure

Model 0440 Series

Lubricated:

- 15 inHg max. vacuum
- 4.0 CFM open flow
- 10 psi max. pressure

Oilless:

- 20 inHg max. vacuum
- 4.0 CFM open flow
- 10 psi max. pressure

Model 0740 Series

Oilless:

- 20 inHg max. vacuum
- 6.0 CFM open flow
- 10 psi max. pressure

Product Features

- Lubricated or oilless operation
- Rugged construction/low maintenance
- Essentially pulse-free service

INCLUDES

Lubricated

- Oiler AA930B (0240/0440) AA930C (0740) – Vacuum pumps
- Oiler AA930F – Compressors
- Coupling assembly AE541A
- Muffler V425C (0240/0440), V500D (0740)
- Filter V400C (0240/0440)
- Filter B343B – Compressors

Oilless

- Muffler V425A (0240/0440), V525A (0740)
- Filter V400G (0240), V400C (0440), V500D (0740)
- Filter B343B – Vacuum pump and compressor
- Cooling fan (B340C)

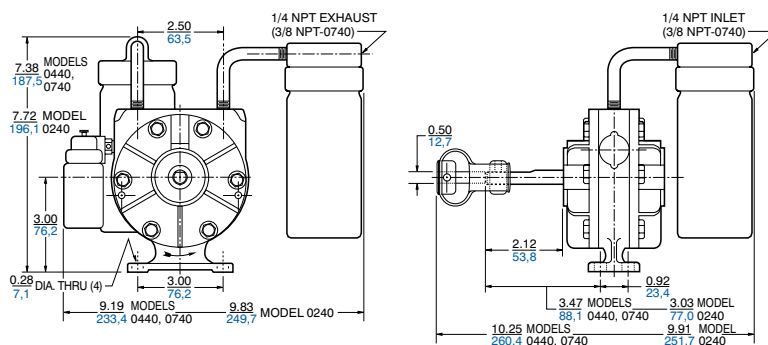
Recommended Accessories

- Base AB324 (0240), AB325 (0440/0740)
- Vacuum relief valve AA840A
- Vacuum gauge AA640
- Pressure relief valve AA205 (0240), AA600 (0440)
- Pressure gauge AA644B
- Coupling AE541A (.50" x .50") – Oilless models
- Coupling guard AE873
- Repair kit K225A (0240) K227A (0440), K229A (0740) – Oilless models
- Repair kit K224A (0240), K226A (0440), K228A (0740) – Lubricated models
- Oil AD220 – Lubricated models

Product Dimensions (inches, mm)

Dimensions are for reference only

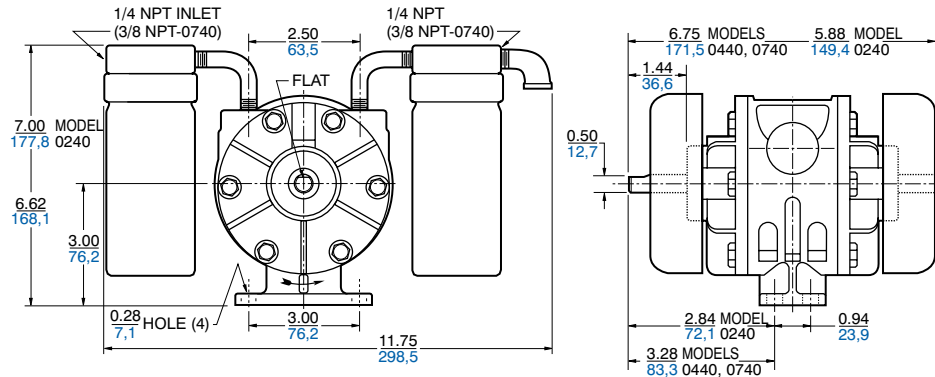
Lubricated Vacuum Pump



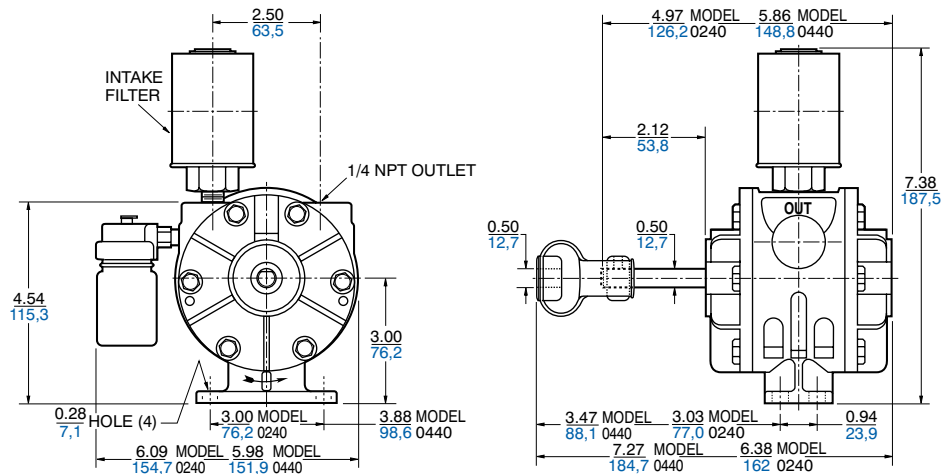
Product Dimensions (inches, mm)

Dimensions are for reference only

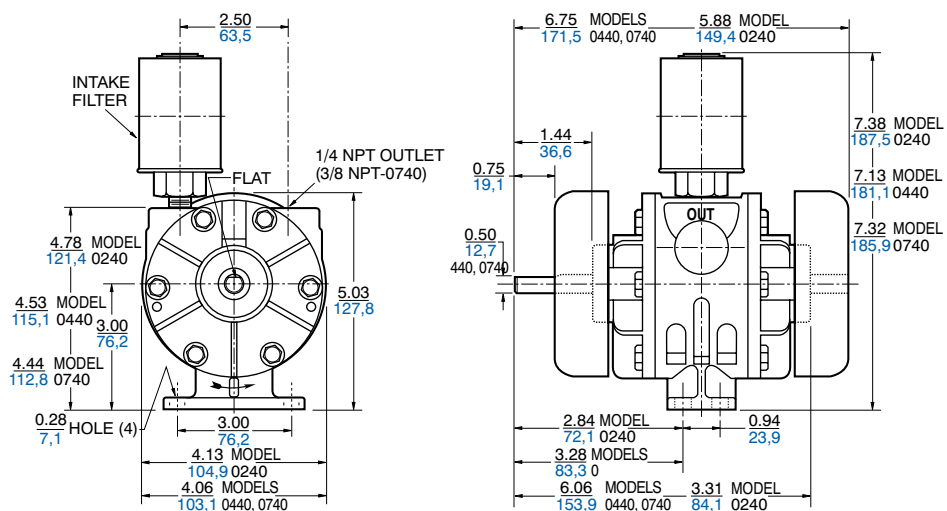
Oilless Vacuum Pump



Lubricated Compressor



Oilless Compressor



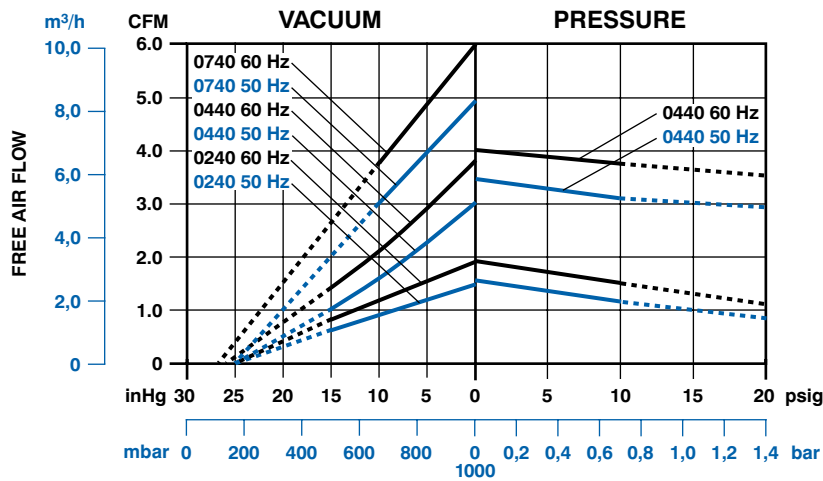
Product Specifications

Note: "P" models are pressure, "V" models are vacuum.

Model Number	Motor	RPM		HP	kW	Coupling Guard	Base	Coupling	Net Weight	
		60 cycle	50 cycle						lbs	kg
LUBRICATED										
0240-P10B	Not included	1725	1425	1/4	0,19				7	3,2
0240-V2C	Not included	1725	1425	1/4	0,19			•	9	4,1
0440-P11B	Not included	1725	1425	1/4	0,19				9	4,1
0440-V2C	Not included	1725	1425	1/4	0,19			•	11	5,0
0740-V2A	Not included	1725	1425	1/3	0,25			•	12	5,4
OILLESS										
0240-P103A	Not included	1725	1425	1/4	0,19				7	3,2
0240-V105A	Not included	1725	1425	1/4	0,19				10	4,5
0440-P103A	Not included	1725	1425	1/4	0,19				9,5	4,3
0440-V105A	Not included	1725	1425	1/4	0,19				12	5,4
0740-P106A	Not included	1725	1425	1/3	0,25				10	4,5
0740-P112B	Not included	1725	1425	1/3	0,25	•	•	•	16	7,2
0740-V104A	Not included	1725	1425	1/3	0,25				12	5,4
0740-V114B	Not included	1725	1425	1/3	0,25	•	•	•	20	9,0

Product Performance

Lubricated



Oilless

