

Compressor



Model 1065 Series

28 inHg max. vacuum
8.5 CFM open flow
25 psi max. continuous pressure

Model 2065 Series

28 inHg max. vacuum
17.0 CFM open flow
15 psi max. continuous pressure

Model 2565 Series

28 inHg max. vacuum
21.0 CFM open flow
15 psi max. continuous pressure

Product Features

- Lubricated operation
- Rugged construction/low maintenance
- Essentially pulse-free service

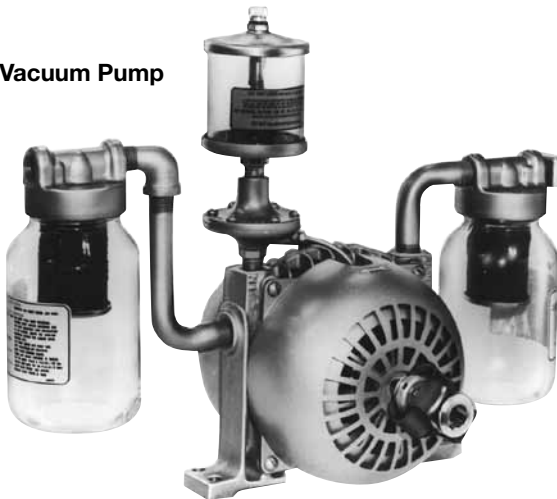
Includes (On Standard Models)

- Filter AC432 (1065), AC435 (2065/2565) – Compressors
- Pressure lubricator A380C (1065), AA95A (2065/2565)
- Pressure gauge AA644B
- Filter AA800C (1065), AA900D (2065/2565) – Vacuum pumps
- Muffler AA800D (1065), AA900E (2065/2565) – Vacuum pumps
- Oil reservoir AA960-1 (2065, 2565) AA960-2 (1065)
- Fan guards AC102B, AC102C
- Fan AC326A (1065), AC326C (2065/2565)
- Coupling assembly AE542A (1065), AE543B (2065/2565)
- Vacuum lubricator V40C

Recommended Accessories

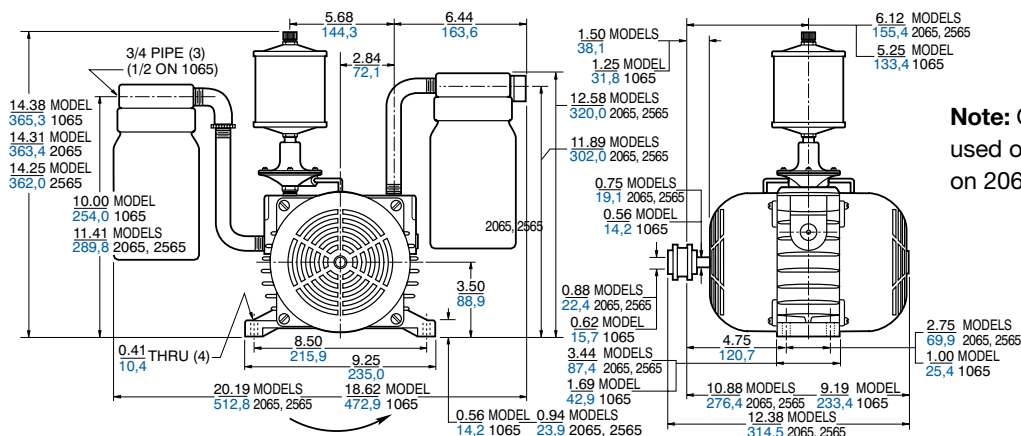
- Base AB320H (1065), AB320F (2065/2565)
- Coupling guard AE873
- Vacuum relief valve AA840A (1065), AA308 (2065/2565)
- Vacuum gauge AA640
- Oil AD220
- Pressure relief valve AA600 (1065), AA307 (2065/2565)
- Repair kit K297 (1065), K295 (2065), K296 (2565)

Vacuum Pump



Product Dimensions (inches, mm)

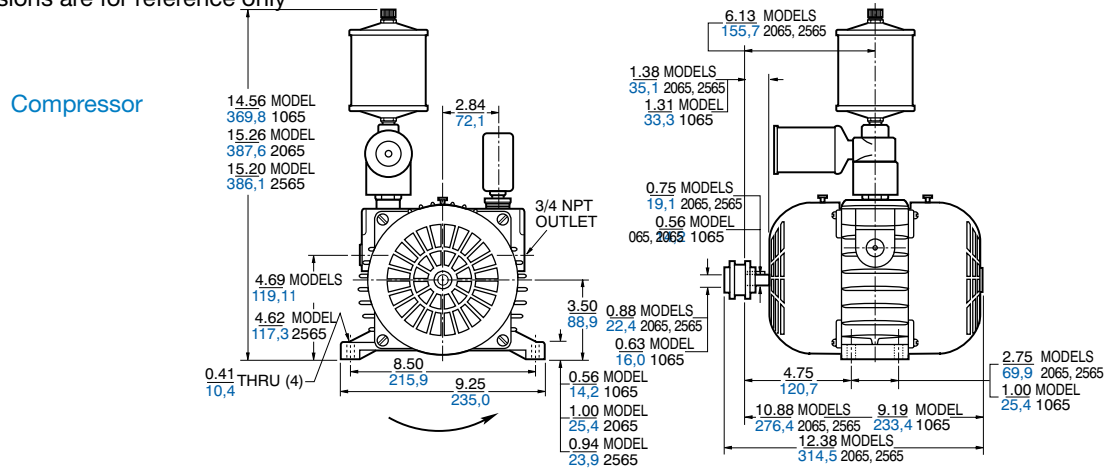
Dimensions are for reference only



Note: One piece coupling (AE542A) used on 1065, 3 piece (AE543B) used on 2065/2565.

Product Dimensions (inches, mm)

Dimensions are for reference only



Product Specifications

Note: "P" models are pressure, "V" models are vacuum.

Model Number	Motor	RPM		HP	kW	Coupling Guard	Base	Thermal Protector	Net Weight	
		60 cycle	50 cycle						lbs	kg
1065-P18	Not included	1725	1425	1	0,74				22	9,9
1065-V2A	Not included	1725	1425	1/2	0,37				23	10,4
1065-V3B	Not included	1725	1425	1/2	0,37	•	•		36	16,2
1065-V4B-G34AX	115/230-60-1	1725	—	1/2	0,37	•	•	•	56	25,2
1065-V2A-SD50-1*	220-240-50-1	—	1425	1/2	0,37	•	•		56	25,2
2065-P8	Not included	1725	1425	1 1/2	1,1				41	18,5
2065-P9B	Not included	1725	1425	1 1/2	1,1	•	•		61	27,5
2065-P10B-T336	230/460-60-3	1725	—	1 1/2	1,1	•	•		92	41,4
2065-V2A	Not included	1725	1425	1	0,75				43	19,4
2065-V3C	Not included	1725	1425	1	0,75	•	•		55	24,8
2565-P19	Not included	1725	1425	2	1,5				40	18,0
2565-V2A	Not included	1725	1425	1 1/2	1,1				38	17,1
2565-V3C	Not included	1725	1425	1 1/2	1,1	•	•		55	24,8
2565-V4C-T336	230/460-60-3	1725	—	1 1/2	1,1	•	•		84	37,8
2565-V89A-SD100-1*	380/415-50-3	—	1425	1	0,75	•	•		84	37,8

*Available only in Europe.

Product Performance

