



### Model 1531 Series (Ac & 12 Volt)

- 20 inHg max. vacuum
- 1.5 CFM open flow
- 10 psi max. pressure

#### Product Features

- Oilless operation
- Motor mounted
- Rugged construction/low maintenance
- Essentially pulse-free service

#### Includes

- Muffler/filter AA922H
- Thermal protector (on AC models only)

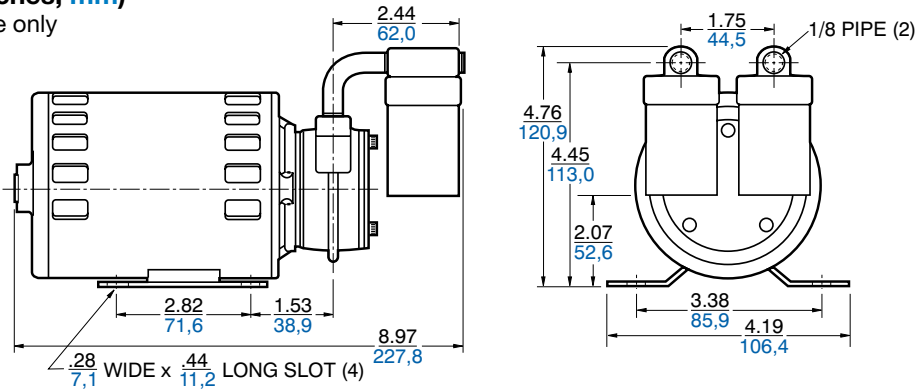
#### Recommended Accessories

- Vacuum relief valve Aa204
- Vacuum gauge Aa641
- Pressure relief valve Aa203
- Pressure gauge Aa644b
- Repair kit K219

### Product Dimensions (inches, mm)

Dimensions are for reference only

Model 1531 (AC Motor)



### Product Specifications

Note: All models listed can be used as either a vacuum pump or compressor.

Model Number	Motor	RPM		HP	kW	Thermal Protector	Net Weight	
		60 cycle	50 cycle				lbs	kg
1531-107B-G288X	100-110/100-115-50/60-1	3450	2850	1/10	0,07	•	8	3,6
1531-107B-G617	12 Volt DC	3450		1/8	0,09	•	9	4,1
1531-107B-G289X	220-240/230-50/60-1	3450	2850	1/10	0,07	•	7	3,2
1531-107B-G557X†	115-60/50-1	3450	2850	1/10	0,07	•	7	3,2

†Includes 10 ft. cord and switch.

### Product Performance

